

ISO 9001 CERTIFIED

SENTINEL II AIRBEAM STRUCTURES

The Sentinel II Airbeam tented structure erects in less than six minutes with no major tools and minimal labor. The Airbeam is available in four sizes and four colors. The Airbeam's rapid deployment configuration is ideal for military training, emergency shelters, commercial/industrial support, or for staff support at special events. The Airbeam is modular and scalable and can be complexed together to establish larger facilities to fit site and customer specific requirements.

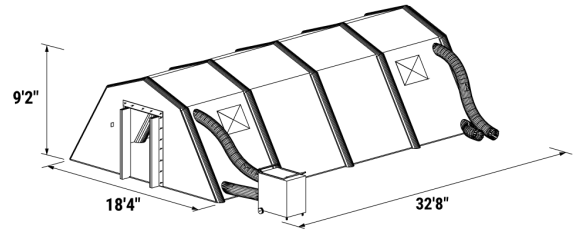


KEY FEATURES

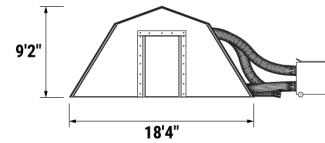
SENTINEL II AIRBEAM STRUCTURES

- Ready for use in less than 10 minutes
- All weather inflator and hose kit
- Lightweight frame system allows for placement and movement by two people
- Modular – connect multiple shelter in different directions
- Maximum interior space due to vertical sidewalls
- Sealed vinyl floor
- Roof vents enable airflow/reduce condensation
- Flame retardant vinyl
- LED lighting

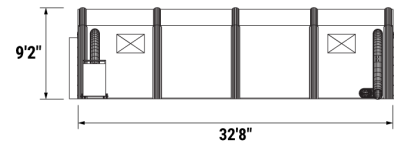
SENTINEL II AIRBEAM STRUCTURE
SENTINEL II-5



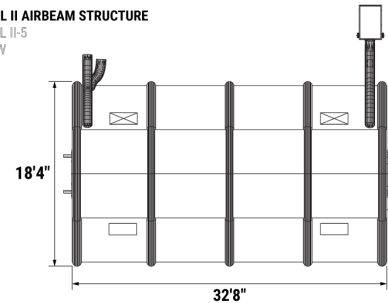
SENTINEL II AIRBEAM STRUCTURE
SENTINEL II-5
FRONT VIEW



SENTINEL II AIRBEAM STRUCTURE
SENTINEL II-5
RIGHT SIDE VIEW



SENTINEL II AIRBEAM STRUCTURE
SENTINEL II-5
TOP VIEW



ADDITIONAL ITEMS

- HVAC unit
- Modular composite flooring
- Power generators
- Containerized showers, latrines, laundries, kitchens

COLORS

- Sand
- White
- Forest
- Orange

SIZES

Sentinel II-3

Set Up Time:	4 min
Set Up Dimensions	
Footprint:	16'11" x 18'4" (5.2 x 5.8m)
Arches/Beams:	3
Peak:	9'2"
Area:	312 sf (95 sm)
Total Weight:	431 lb (195 kg)
Packed Dimensions	
Tent:	47" x 39" x 26" (1.2 x 1.0 x 0.7m)
Tents/20' Container:	15
Environment:	-20 to 135 F (-29 to 57 C)
Wind Load:	55mph/Gust to 65mph (89km/h Gust to 105km/h)

Specifications may vary. [Contact](#) Deployed Resources for more information.

Sentinel II-4

Set Up Time:	5 min
Set Up Dimensions	
Footprint:	24'9" x 18'4" (7.4 x 5.8m)
Arches/Beams:	4
Peak:	9'2"
Area:	452 sf (137.8 sm)
Total Weight:	536 lbs (243.2 kg)
Packed Dimensions	
Tent:	51" x 39" x 28" (1.3 x 1.0 x 0.7m)



Edited: December 21, 2017



Packed Dimensions

Tents/20' Container:	15
Environment:	-20 to 135 F (-29 to 57 C)
Wind Load:	55mph/Gust to 65mph (89km/h Gust to 105km/h)

Sentinel II-5

Set Up Time:	6 min
Set Up Dimensions	
Footprint:	32'8" x 18'4" (10.0 x 5.8m)
Arches/Beams:	5
Peak:	9'2"
Area:	603 sf (183.8 sm)
Total Weight:	640 lb (290.3 kg)
Packed Dimensions	
Tent:	55" x 39" x 30" (1.4 x 1.0 x 0.8m)
Tents/20' Container:	12
Environment:	-20 to 135 F (-29 to 57 C)
Wind Load:	55mph/Gust to 65mph (89km/h Gust to 105km/h)

Sentinel II-6

Set Up Time:	6 min
Set Up Dimensions	
Footprint:	40'6" x 20'8" (12.4 x 5.8m)
Arches/Beams:	6
Peak:	10'2"
Area:	840 sf (258 sm)
Total Weight:	765 lb (347 kg)
Packed Dimensions	
Tent:	59" x 39" x 35" (1.5 x 1.0 x 0.9m)
Tents/20' Container:	10
Environment:	-20 to 135 F (-29 to 57 C)
Wind Load:	55mph/Gust to 65mph (89km/h Gust to 105km/h)