

ISO 9001 CERTIFIED / GSA CONTRACT HOLDER
VETERAN-OWNED

DEPLOYED
RESOURCES

BICON TOILET UNIT





Designed for field operations, our Bicon Toilet Units (BTUs) provide basic amenities inside a rugged 10' ISO container. Each unit contains facilities for both men and women and includes interior lighting, flushing toilets, sinks, ventilation, and privacy walls.

Units can be operated independently or combined with additional restroom units to support larger events. They can be positioned on the ground or left on the chassis for added flexibility. BTUs are ideal for military exercises, special events, or disaster relief operations.

KEY FEATURES



- **Men & Women Facilities**
- **Interior Lighting**
- **Flushing Toilets**
- **Sinks**



SPECIFICATIONS

| | |
|---------------------|----------------------|
| SIZE | 8'W x 8'6"H x 10'D |
| FOOTPRINT | 8' x 10' |
| WEIGHT | 4,800 lbs |
| WATER INLET | 2" NPT |
| POWER | 50A 220V Plug |
| HVAC | 1-Ton Heat/AC Unit |
| WATER HEATER | 20 Gallon – Electric |
| TOILETS | 3 |
| SINKS | 2 |

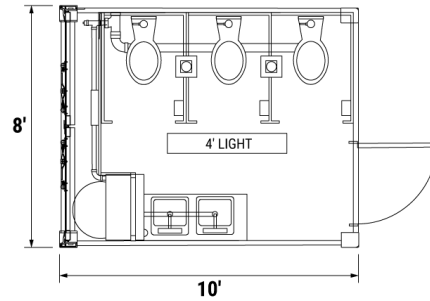
COLOR OPTIONS

-  Sand
-  Custom

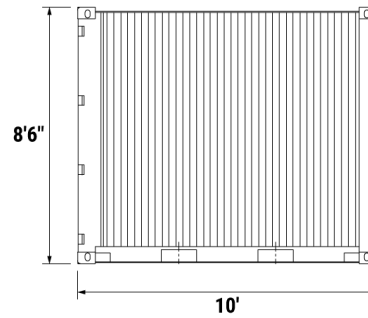
Specifications may vary.

Contact [Deployed Resources](https://www.deployedresources.com) for more information.

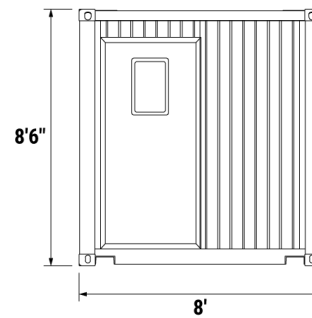
BICON TOILET UNIT
TOP VIEW



BICON TOILET UNIT
RIGHT SIDE VIEW



BICON TOILET UNIT
FRONT VIEW



Contract Holder

